

SOFTEN AND CONDITION

# PURE H2O CONDITIONER

—*An innovative two stage whole home filter.*



A two stage system using the finest grade of Granular Activated Carbon as a deep bed filtration for removal of organic pollutants chemicals, pesticides and herbicides, as well as all organics including chlorine and ammonia that can convert to harmful vapours when delivered in hot water such as showers.

Imagine the luxury of bathing in water, free of chlorine and chemical residues. It's as close as you'll get to spring fresh water from your taps.

## **PURE H2O CONDITION FEATURES AND BENEFITS**

.....

### **GRANULAR ACTIVATED CARBON**

Removal of organic pollutants, chlorine, chemicals, pesticides and herbicides. Organics including chlorine and ammonia that are present in tap water can convert to harmful vapours when showering and bathing.

### **AQUASHIELD**

Advanced bacteriological control.

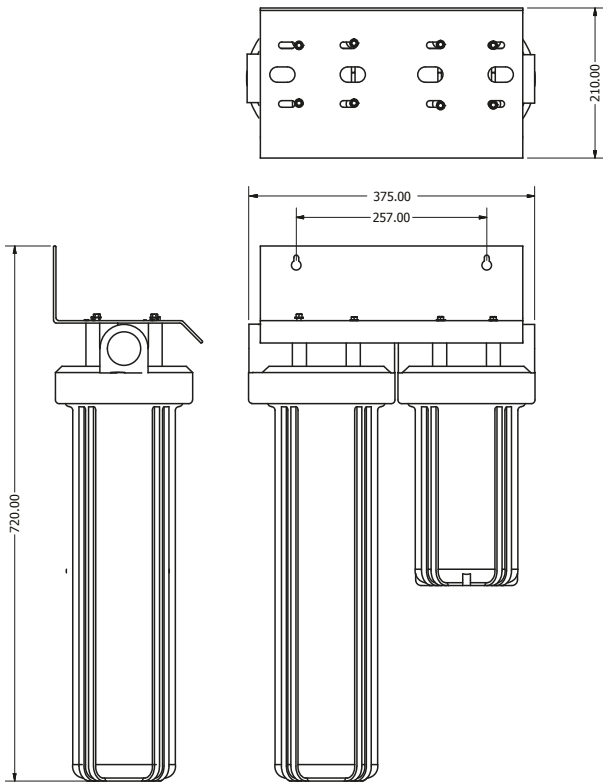
### **STAND ALONE OR POST-SOFTENER**

Use in line with a Pure H2O water softener to remove hard lime scale for softened and conditioned tap water.

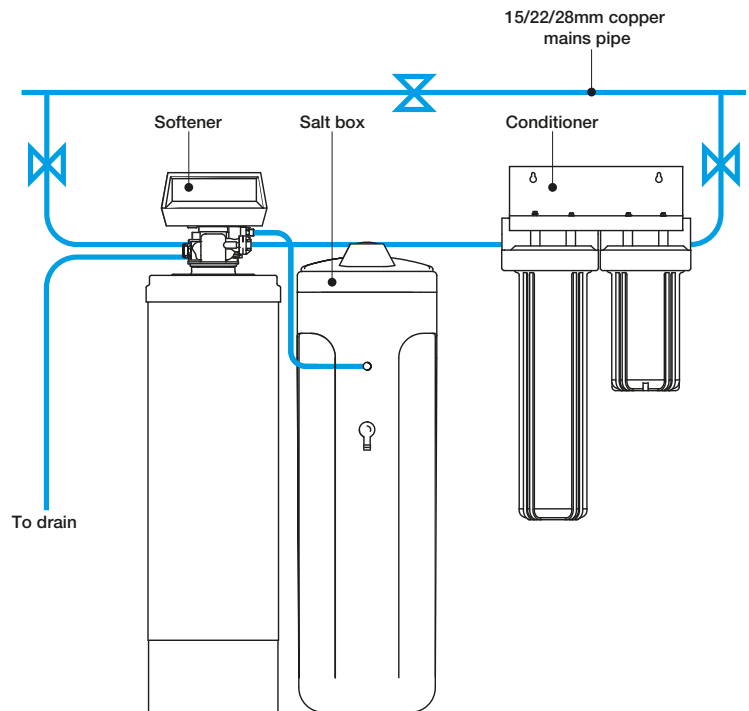
### **PURE H2O RODI CONDITION**

Metered valve effectively reduces normal salt consumption by up to 50%.

**PURE H2O CONDITION DIMENSIONS**



**Typical installation in line  
with PURE H2O CONDITION**



**PURE H2O CONDITION  
DETAILED SPECIFICATION**

**REMOVES**

Chemicals  
Pesticides  
Herbicides  
Chlorine  
Ammonia  
Pathogens  
Viruses  
Algae  
Fungus  
Mould

**DIMENSIONS**

425mm W X 216mm D X 711mm H

**SITE PREPARATION**

Installed at the point where mains cold water enters the property. A bridge is cut into the mains cold water supply and water diverted through the equipment of your choice.

- Isolated mains cold (15mm)
- Trapped drain with upstand or connection can be made to trapped drain on sink
- Powerpoint 13amp

It is not recommended customers install or carry out any repairs to their system.

**ANNUAL SERVICE**

No service requirements. The valve comes with a free three year guarantee and the finest grade of resin comes with a free 10 year guarantee.

For further information and to see the full range of purifiers, softeners and multifunction taps visit [pureh2o.co.uk](http://pureh2o.co.uk)