

PURIFIERS

PURE H2O RO

—*Compact and efficient Reverse Osmosis water system*



Designed specifically for UK tap water by the Pure H2O Company, this compact RO system may be plumbed in under the sink providing the best quality RO water and benefiting from the patented manual flush mechanism for prolonged membrane life.

PURE H2O RO FEATURES AND BENEFITS

.....

MANUAL FLUSH

Prolonged membrane life.

ANTI-BLEED MECHANISM

Minimises impurities breaching the RO stage.

RAPID FILL SYSTEM

Up to 5 litres per hour.

COMPACT SYSTEM

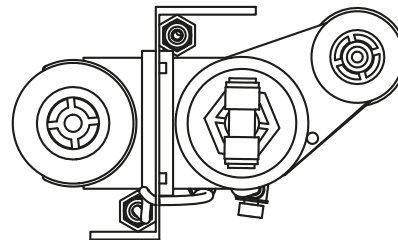
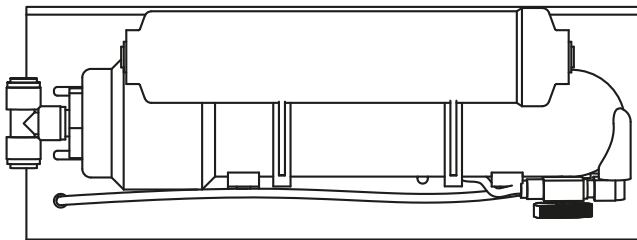
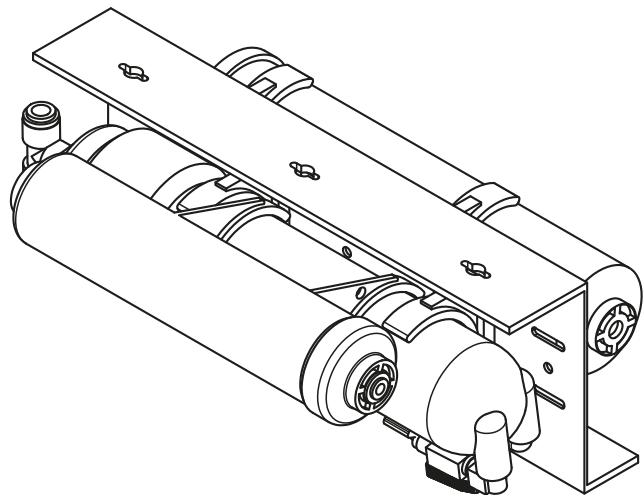
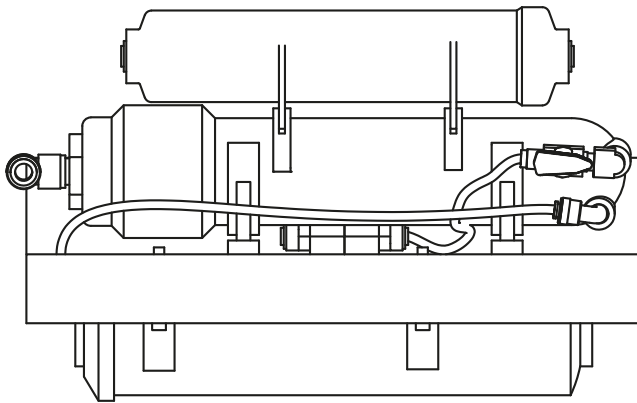
Designed for UK tap water.

PATENTED MEMBRANE For prolonged membrane life ten years longer than standard RO systems



PURE H2O RO water purification systems can be installed beneath a sink or remotely in a utility area.

**PURE H2O RO
DIMENSIONS**



**PURE H2O RO
DETAILED SPECIFICATION**

REMOVAL RATES

99.99% micro-organisms
99.99% organics
98% heavy metals
96% lead
70% nitrates

PRODUCTION RATES

Manual flush 2ltrs/hr

DIMENSIONS

Below Sink Unit:
364W x171D x 135H mm

Below Sink Reservoir:
333W x 240dia mm

SITE PREPARATION

Pure H2O engineers install water purification systems beneath the sink or remotely in the utility area. Systems can be connected directly to fridges, steam ovens, ice makers, coffee machines and drinking faucets, eliminating hard water damage.

- Isolated mains cold (15mm)
- Trapped drain with upstand or connection can be made to trapped drain on sink
- Powerpoint 13amp
- 13mm penetration for faucet

It is not recommended customers install or carry out any repairs to their system.

ANNUAL SERVICE

Servicing and replacing the exhausted components every 12 months keeps your system fully optimised so you'll enjoy the great taste and benefits of pure water day in, day out, and be assured of the RODI REMOVAL RATES.

For further information and to see the full range of purifiers, softeners and multifunction taps visit pureh2o.co.uk